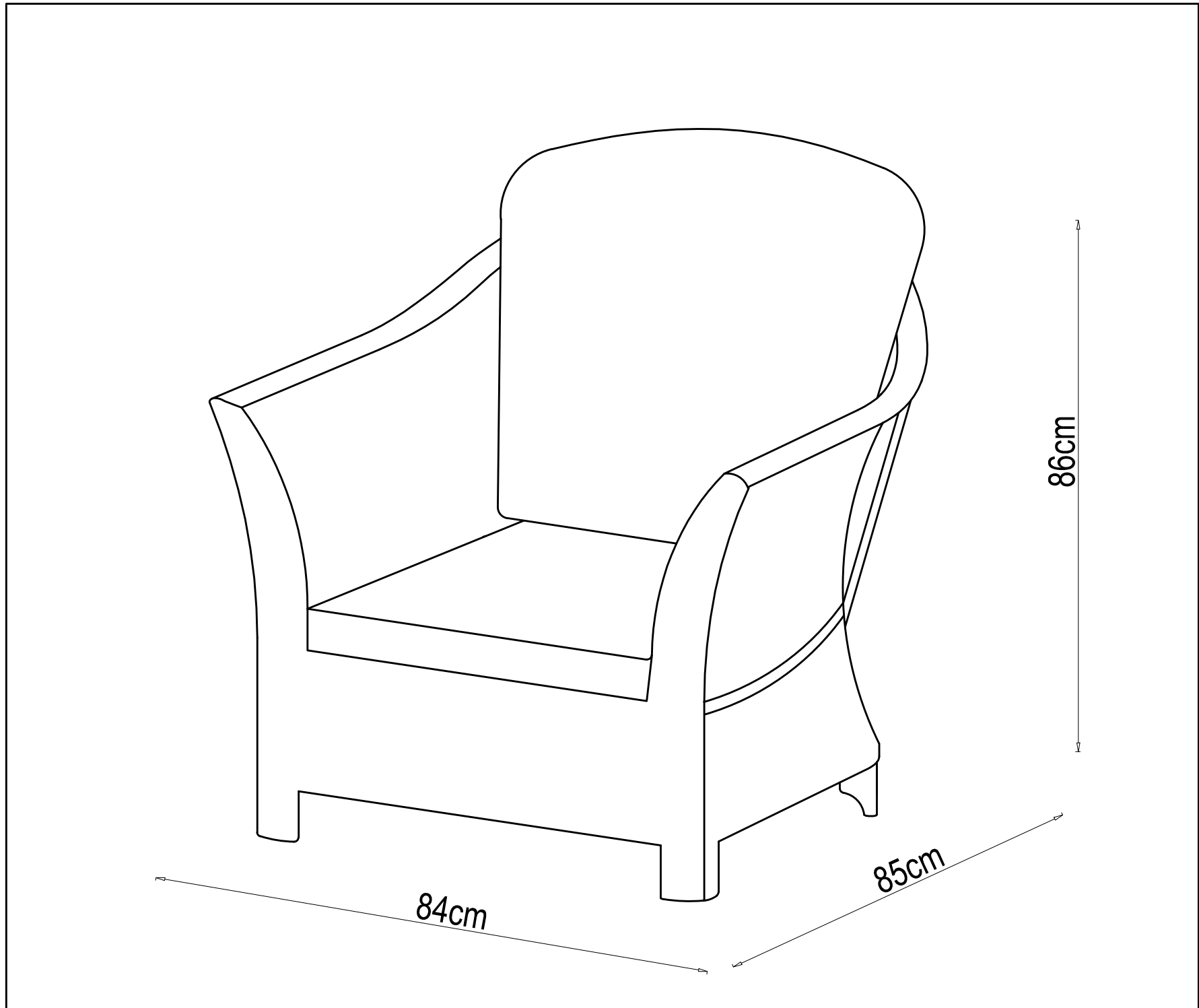




ASSEMBLY INSTRUCTION  
NOUMEA 4PCE OUTDOOR LOUNGE SETTING

ITEM CODE - 79097

Imported by Amart Furniture Pty Ltd, Qld, Brisbane Australia .  
For any assistance with assembly or for missing parts please phone  
Amart Furniture , Customer Service Freecall 1800 351 084


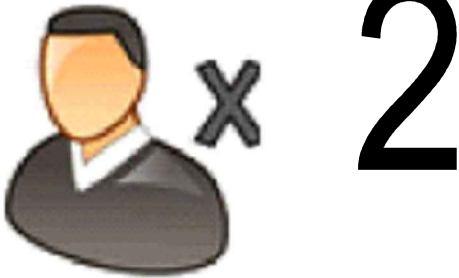


Imported by Amart Furniture Pty Ltd, Qld, Brisbane Australia .  
For any assistance with assembly or for missing parts please phone  
Amart Furniture, Customer Service Freecall 1800 351 084

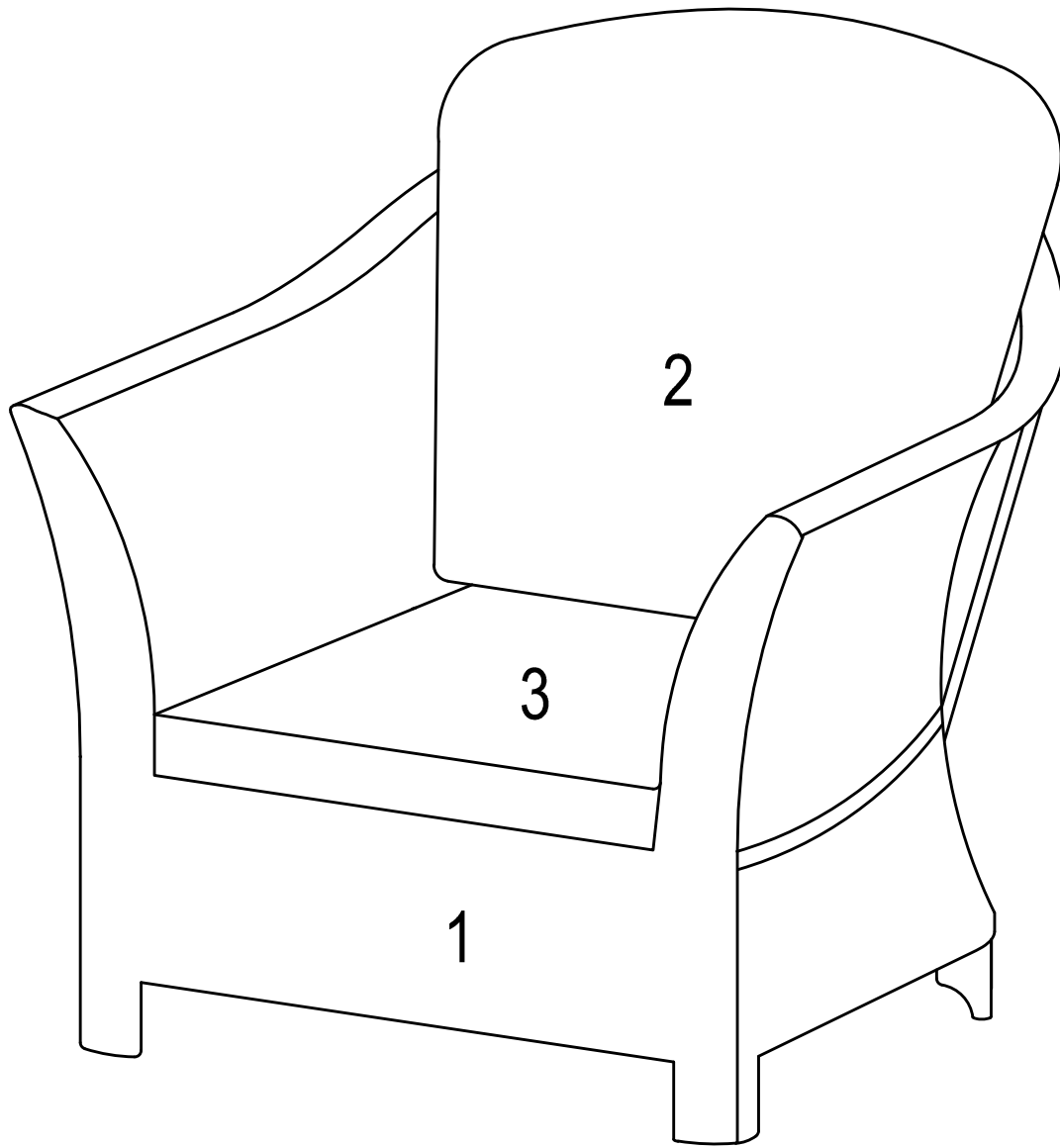
# PRE-ASSEMBLY PREPARATION

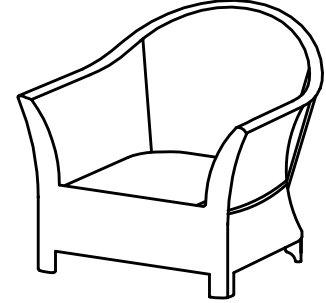
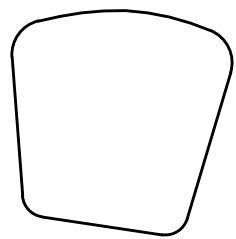
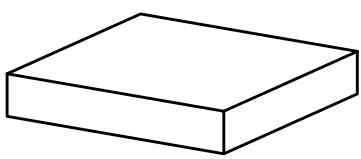
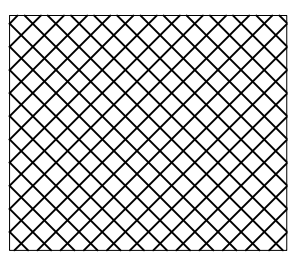
## Before you start:

1. Choose a clean, level, spacious assembly area. Avoid hard surfaces that may damage the product.
2. Take care when lifting. Product should be assembled as near as possible to the point of use.
3. Ensure that you have all required contents for complete assembly.
4. Always read the assembly instructions carefully before beginning assembly.
5. Keep all hardware parts and packaging out of reach of small children.
6. Do not over tighten the screws and bolts as this may damage the threads.

	
ALLOW 20 MINUTES	PEOPLE REQUIRED
ADDITIONAL TOOLS REQUIRED	


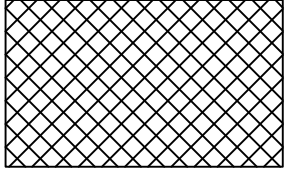
# PARTS LIST



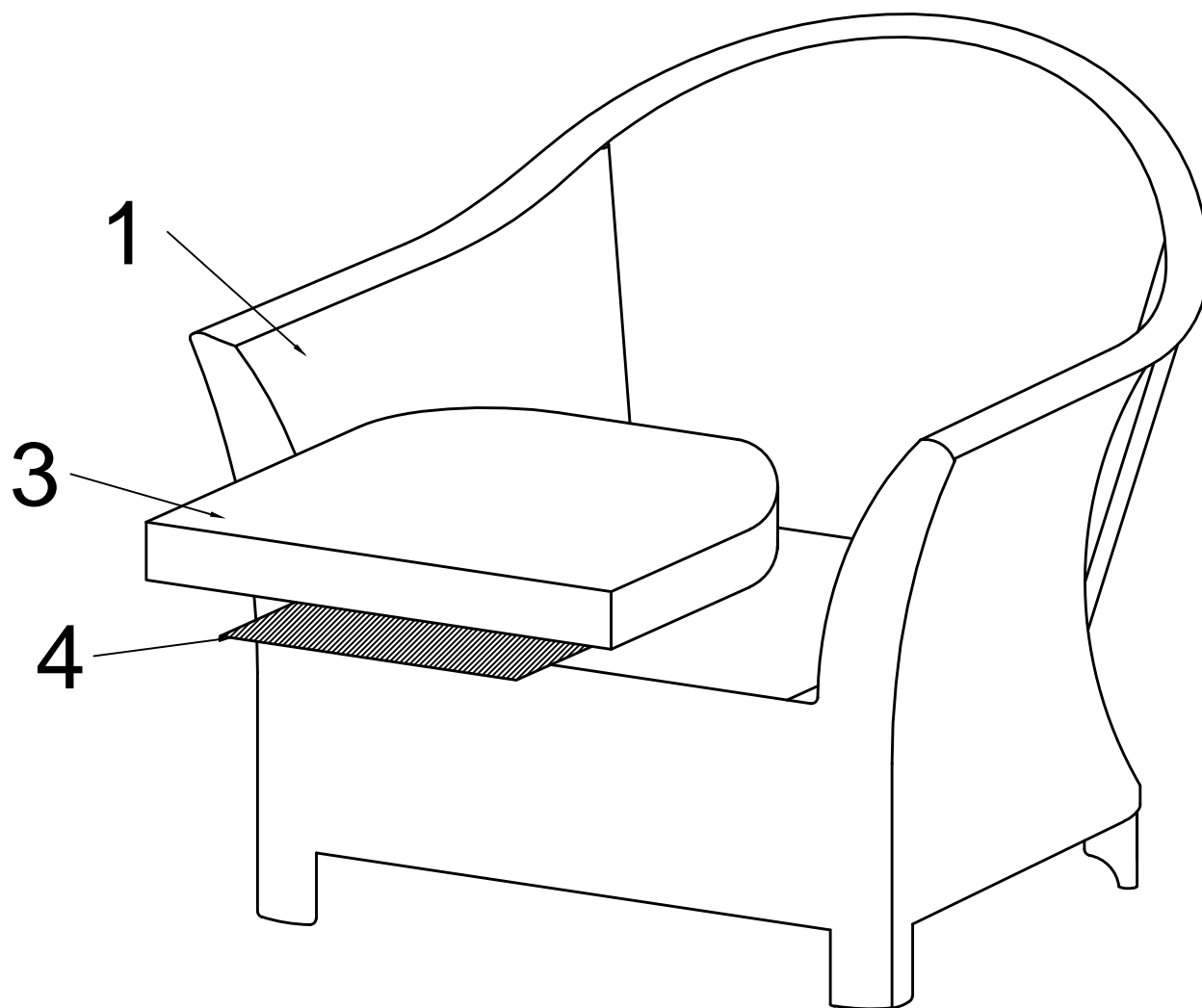
<p>1 sofa</p>	 <p>1PC</p>	<p>2 Back Cushion</p>	 <p>1PC</p>
<p>3 Cushion</p>	 <p>1PC</p>	<p>4 Non-slip mat</p>	 <p>1PC</p>

# Step 1:

## ITEMS REQUIRED

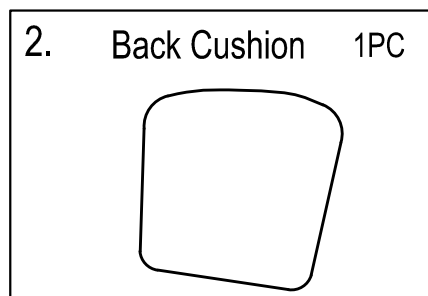
3. Cushion 1PC	4. Non-slip mat 1PC
	

- Put the non-slip mat (4) under the cushion (3) .

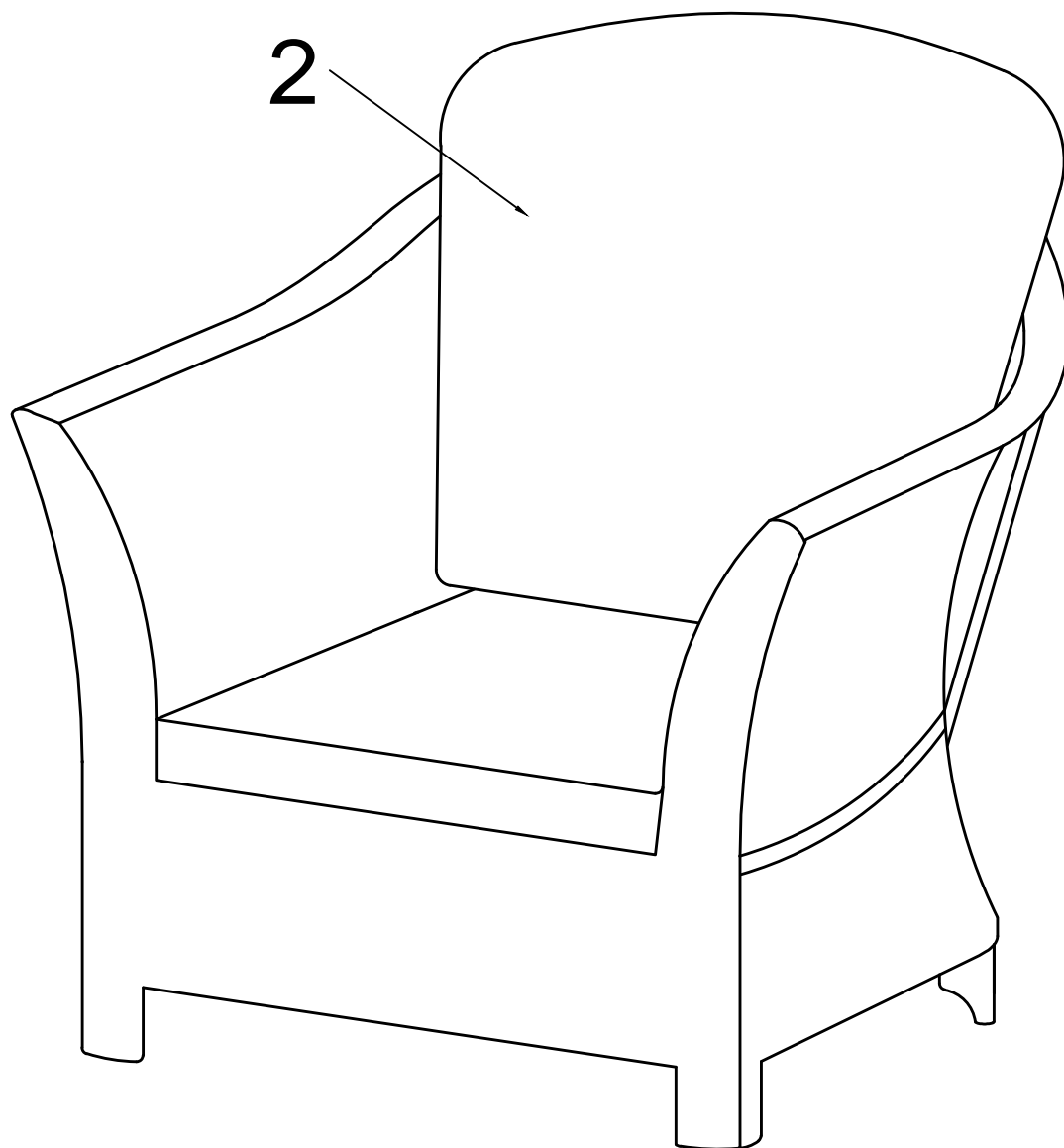


# Step 2:

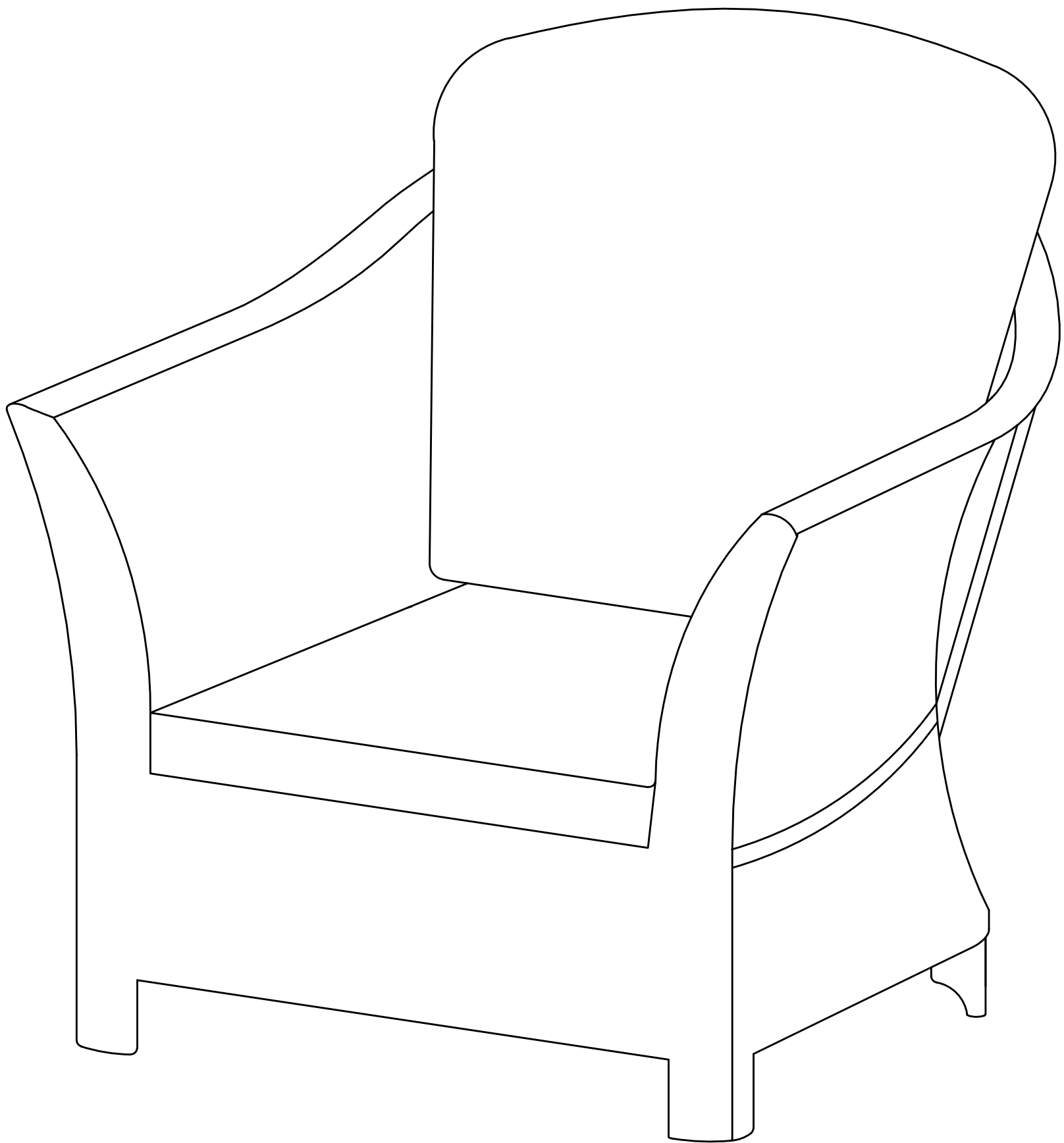
## ITEMS REQUIRED



- Put the back cushion (2) on the cushion (3) .



**ASSEMBLY IS COMPLETE**



# Care and maintenance



## Metal

- ☒ Item is designed for use outdoors. However we do not recommend leaving this product outside when not in use. To preserve the life of this item, avoid prolonged exposure to the elements & store inside/under cover or use an outdoor cover.
- ☒ DO NOT allow the furniture to be left in the rain or left wet for extended periods of time.
- ☒ Wipe furniture Dry immediately after it becoming wet.
- ☒ DO NOT clean your furniture down with any harsh solvents, abrasives or chemicals.
- ☒ To remove dirt and grime, simply rinse with fresh water or periodically clean using a sponge and mild detergent solution as required

## Wicker

- ☒ Regular vacuuming and dusting of items is recommended.
- ☒ If weave on wicker becomes lacerated/damaged, do not pull on it as this may cause unravelling.
- ☒ Prolonged exposure to the elements may cause colour fading.
- ☒ To extend the life of your product the use of an Amart approved Outdoor Furniture Cover is highly recommended. Please contact store of purchase for further details.

## Cushions

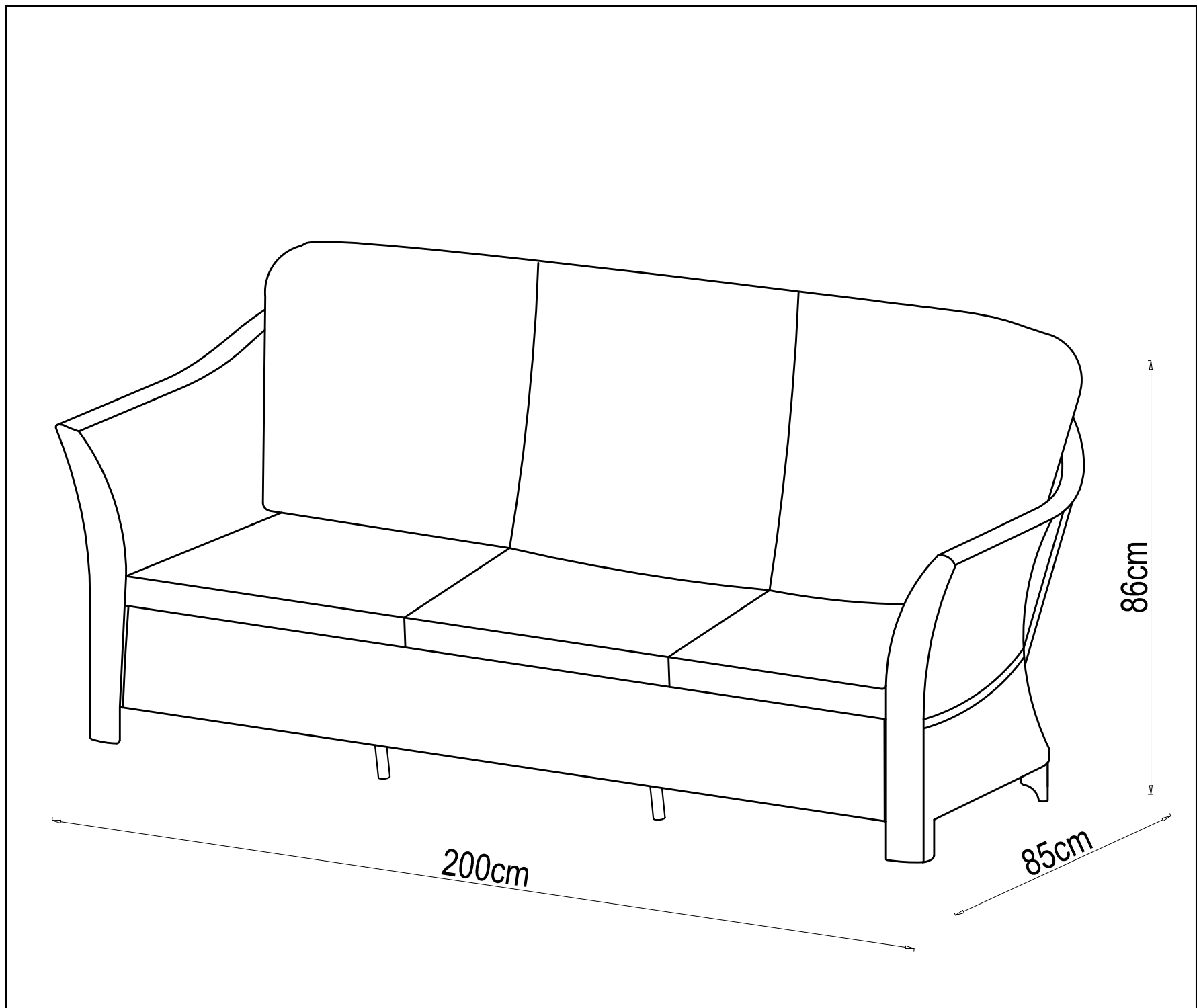
- ☒ Direct exposure to the Sun's harmful UV rays is likely to cause rapid colour fading to fabrics. For best results we recommend avoiding exposure to direct sunlight
- ☒ To ensure product longevity it is recommended outdoor products are not left permanently exposed to the elements
- ☒ Spot clean using mild detergent and damp cloth. Dry flat in shade
- ☒ Do not unzip
- ☒ Do not put in washing machine
- ☒ Do not tumble dry
- ☒ Do not bleach
- ☒ Do not dry clean
- ☒ Cool iron only



ASSEMBLY INSTRUCTION  
NOUMEA 4PCE OUTDOOR LOUNGE SETTING

ITEM CODE - 79097

Imported by Amart Furniture Pty Ltd, Qld, Brisbane Australia .  
For any assistance with assembly or for missing parts please phone  
Amart Furniture , Customer Service Freecall 1800 351 084




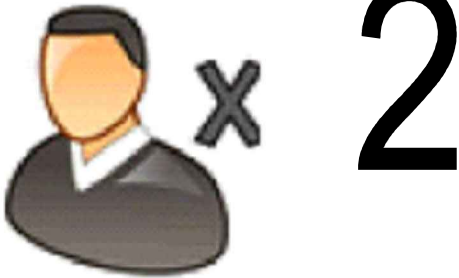
Imported by Amart Furniture Pty Ltd, Qld, Brisbane Australia .  
For any assistance with assembly or for missing parts please phone  
Amart Furniture, Customer Service Freecall 1800 351 084



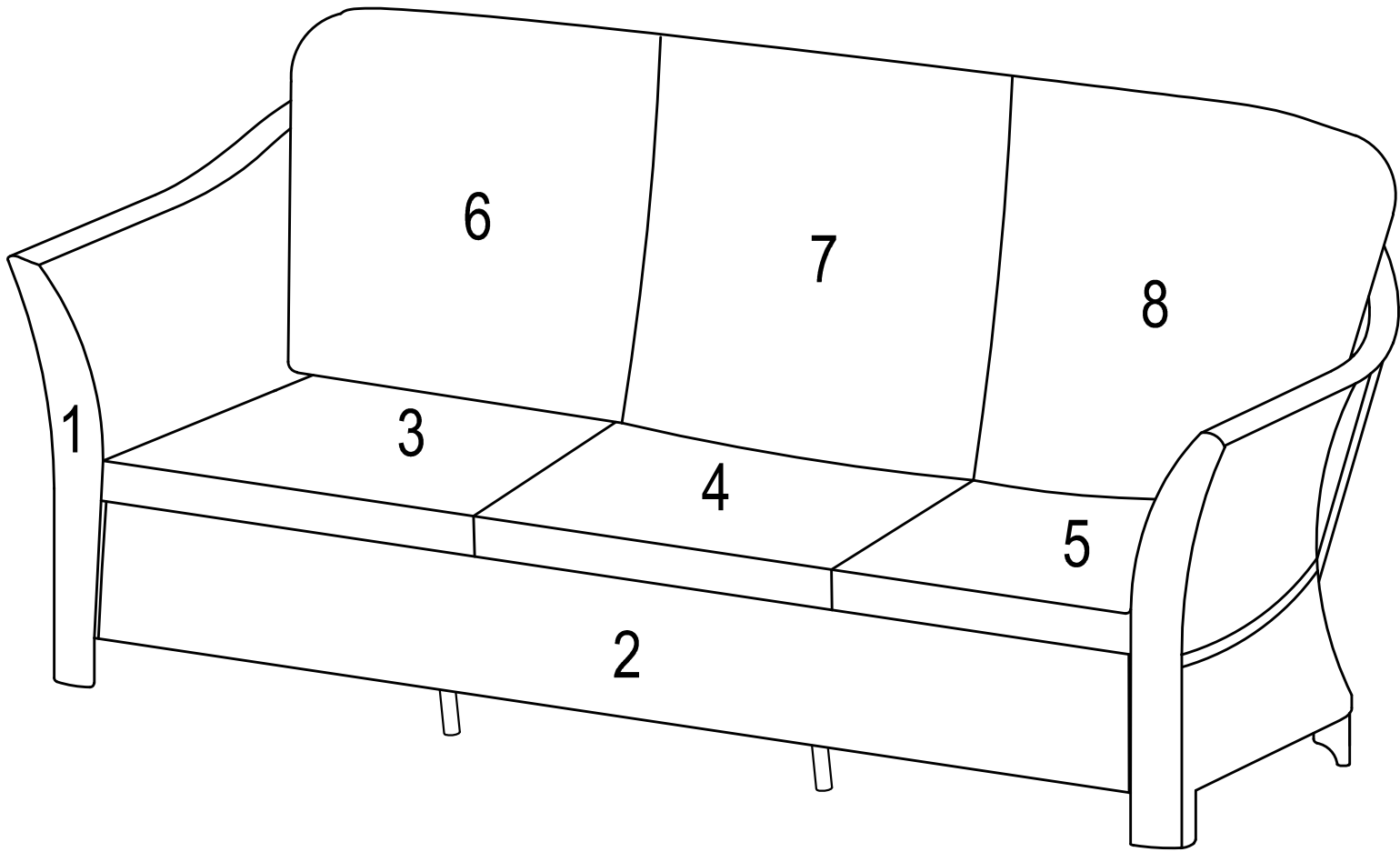
# PRE-ASSEMBLY PREPARATION

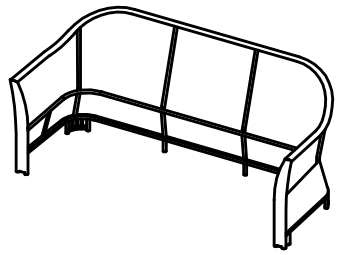
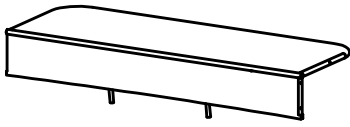
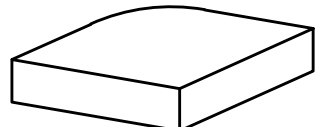
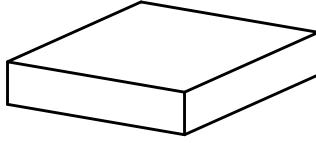
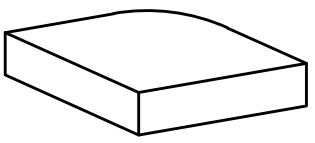
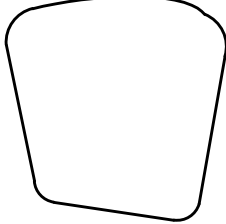
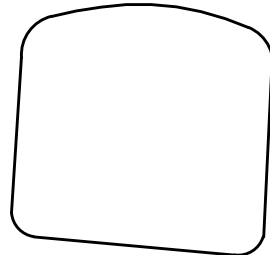
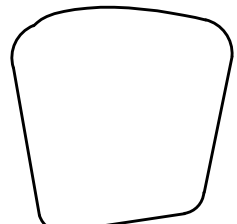
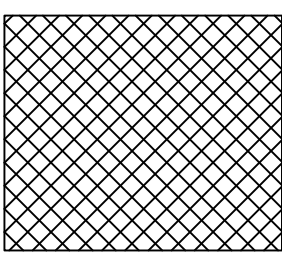

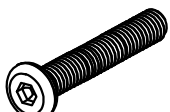
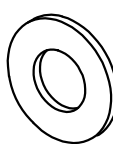
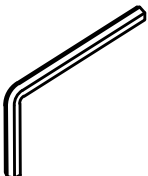
## Before you start:

1. Choose a clean, level, spacious assembly area. Avoid hard surfaces that may damage the product.
2. Take care when lifting. Product should be assembled as near as possible to the point of use.
3. Ensure that you have all required contents for complete assembly.
4. Always read the assembly instructions carefully before beginning assembly.
5. Keep all hardware parts and packaging out of reach of small children.
6. Do not over tighten the screws and bolts as this may damage the threads.

	
ALLOW 20 MINUTES	PEOPLE REQUIRED
ADDITIONAL TOOLS REQUIRED	

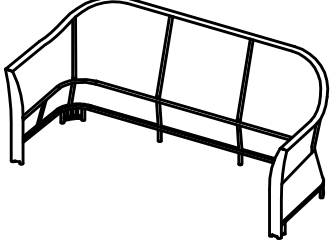
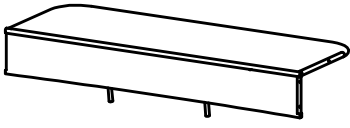

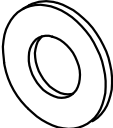
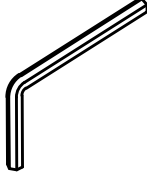
# PARTS LIST



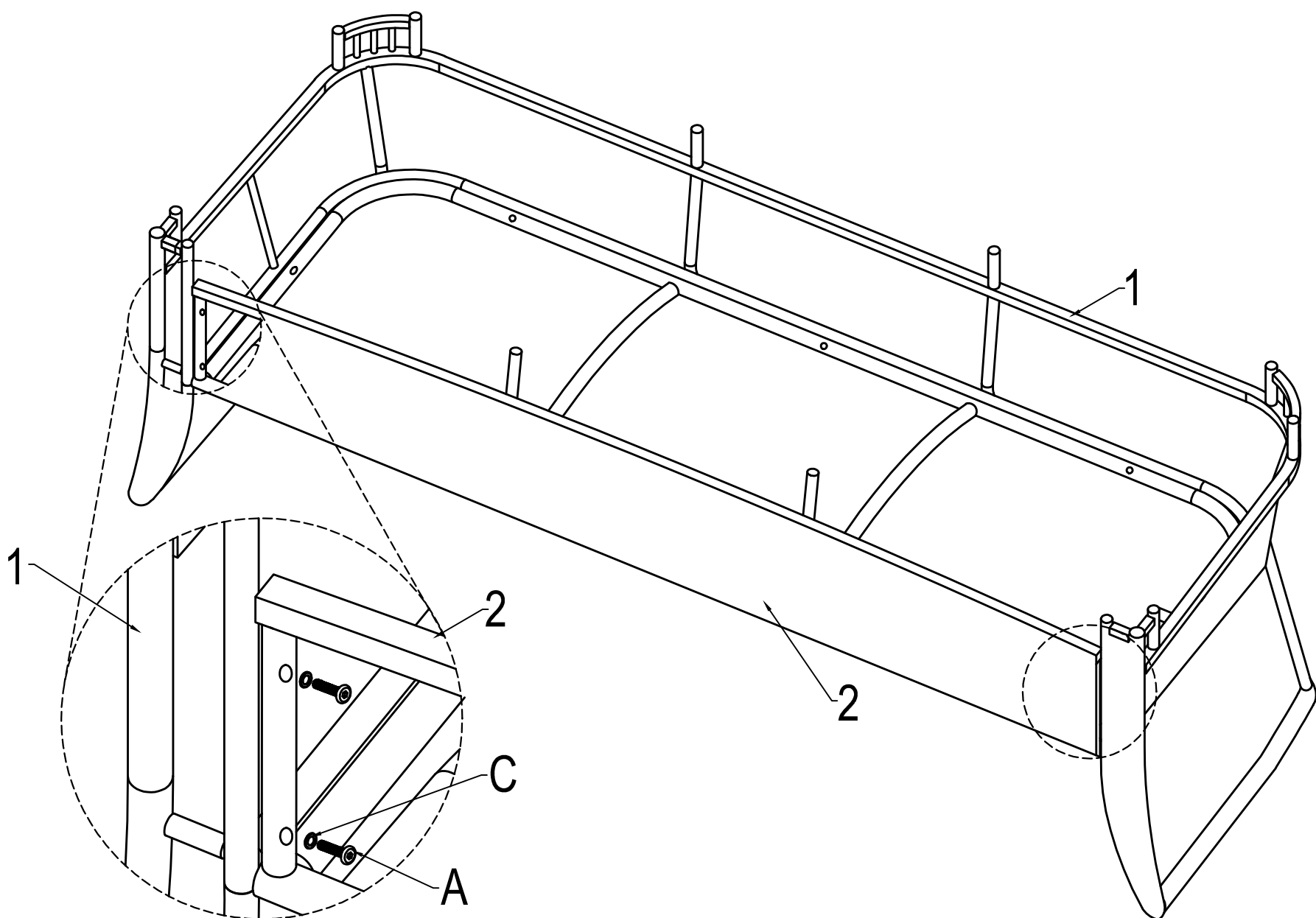
<p>1 Backrest 1PC</p> 	<p>2 Seat 1PC</p> 		
<p>3 Cushion 1PC</p> 	<p>4 Cushion 1PC</p> 	<p>5 Cushion 1PC</p> 	
<p>6 Back Cushion 1PC</p> 	<p>7 Back Cushion 1PC</p> 		
<p>8 Back Cushion 1PC</p> 	<p>9 Non-slip mat 3PCS</p> 		
<p>A. Bolt M6*35*4PCS</p> 	<p>B. Bolt M6*40*5PCS</p> 	<p>C. Washer M6*9PCS</p> 	<p>D. Allen Key M6*1PC</p> 

# Step 1:

## ITEMS REQUIRED


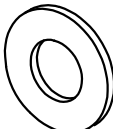
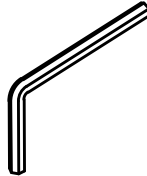
1. Backrest 1PC 	2. Seat 1PC 	
A. Bolt  M6*35*4PCS	C. Washer  M6*4PCS	D. Allen Key  M6*1PC

- Attach Backrest (1) to seat (2) using bolt (A) with washer (C) .
- Insert all bolts before fully tightening .
- Tighten with allen key (D) .

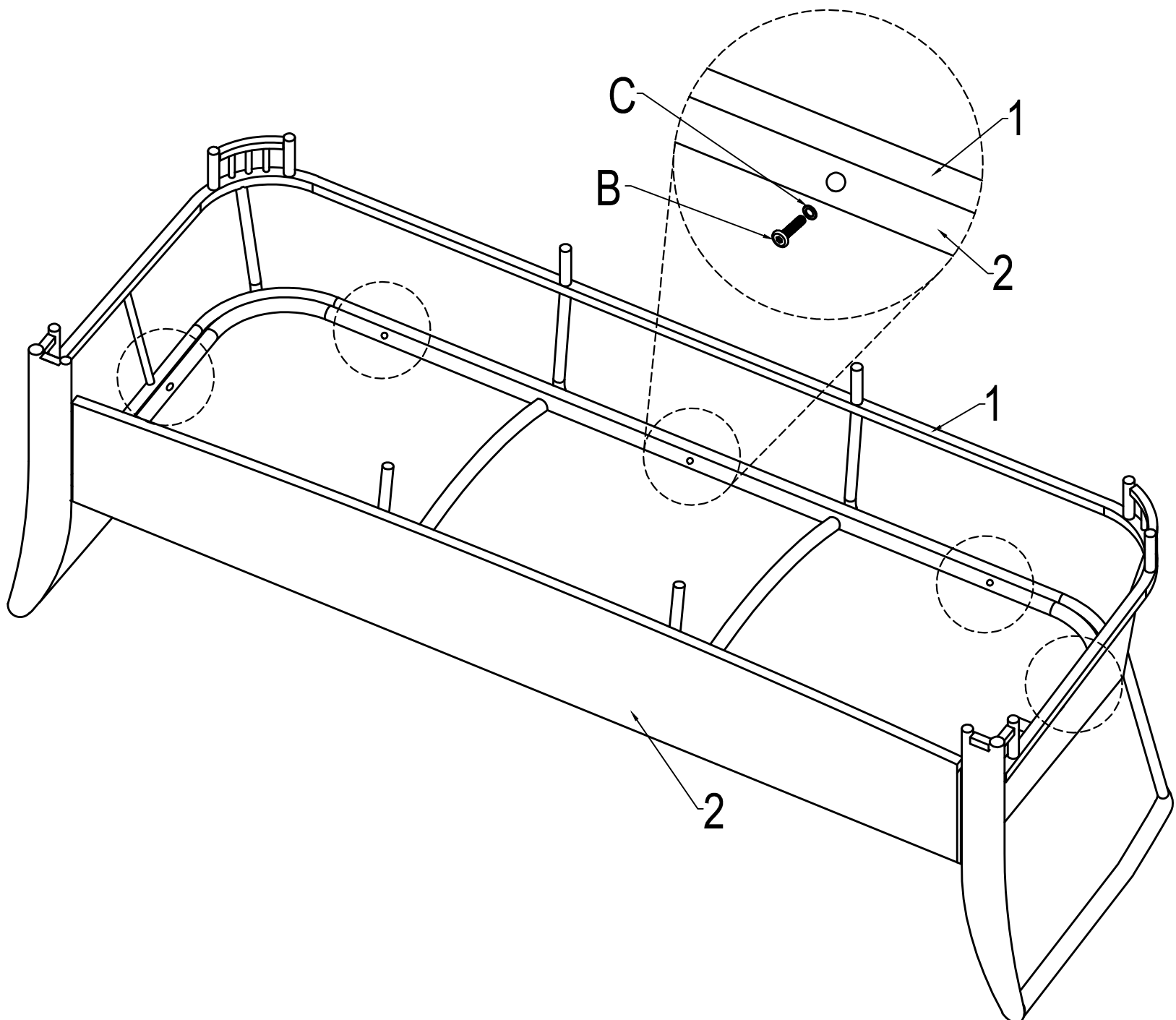


# Step 2:

## ITEMS REQUIRED

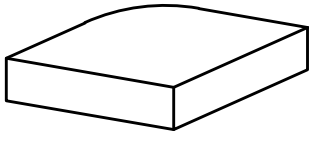
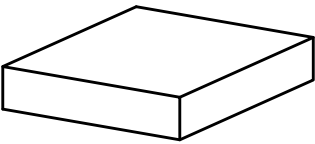
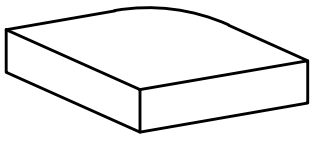
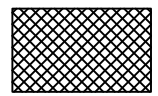
B. Bolt  M6*40*5PCS	C. Washer  M6*5PCS	D. Allen Key  M6*1PC
--	---	---

- Attach Backrest (1) to seat (2) using bolt (B) with washer (C) .
- Insert all bolts before fully tightening .
- Tighten with allen key (D) .

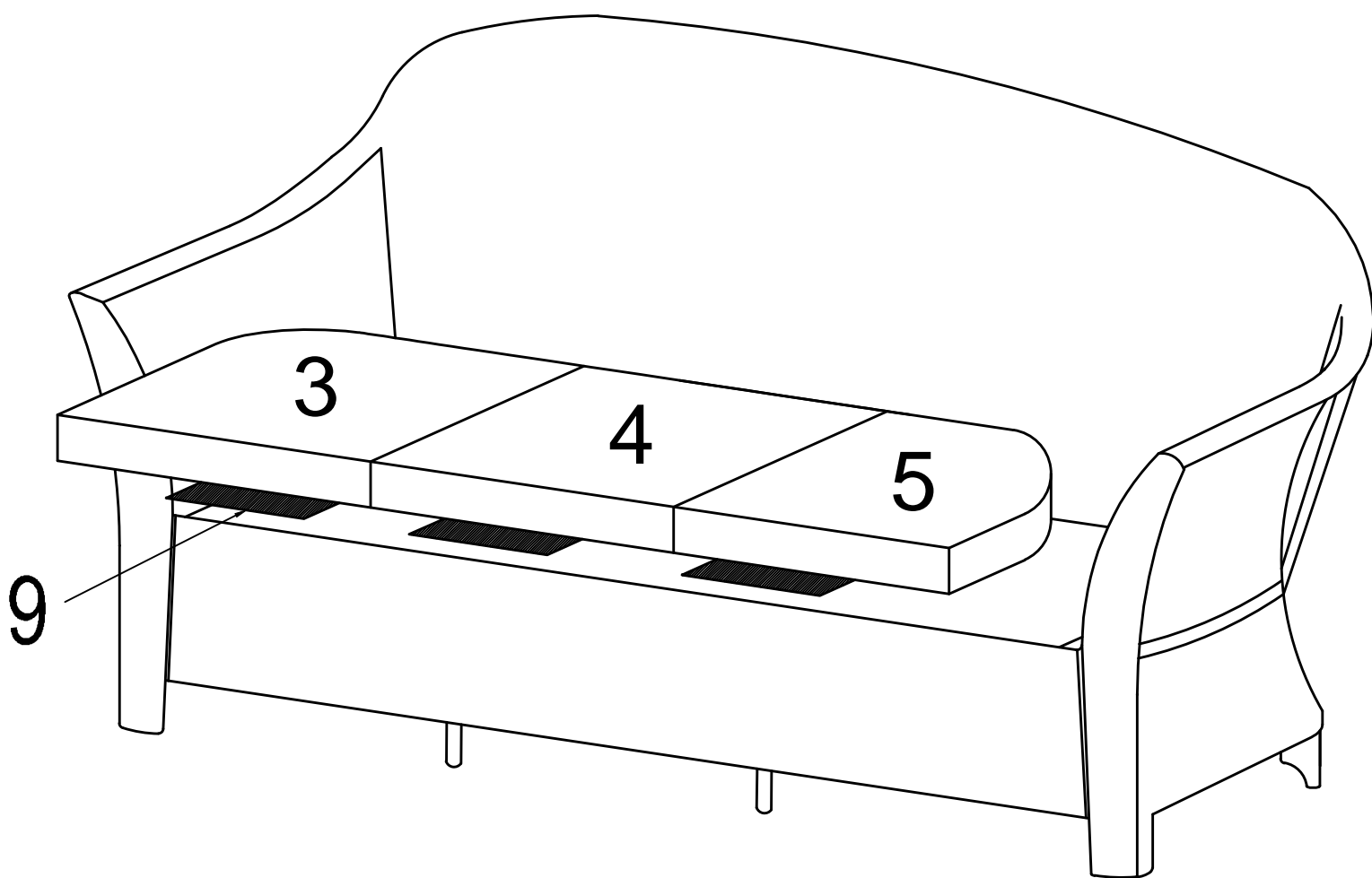


# Step 3:

## ITEMS REQUIRED

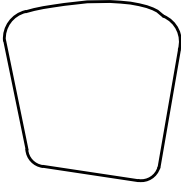
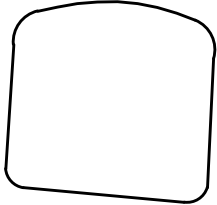
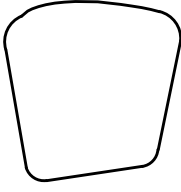
3. Cushion 1PC	4. Cushion 1PC	5. Cushion 1PC	9. Non-slip mat 3PCS
			

- Put the non-slip mat (9) under the cushion (3) & (4) & (5).

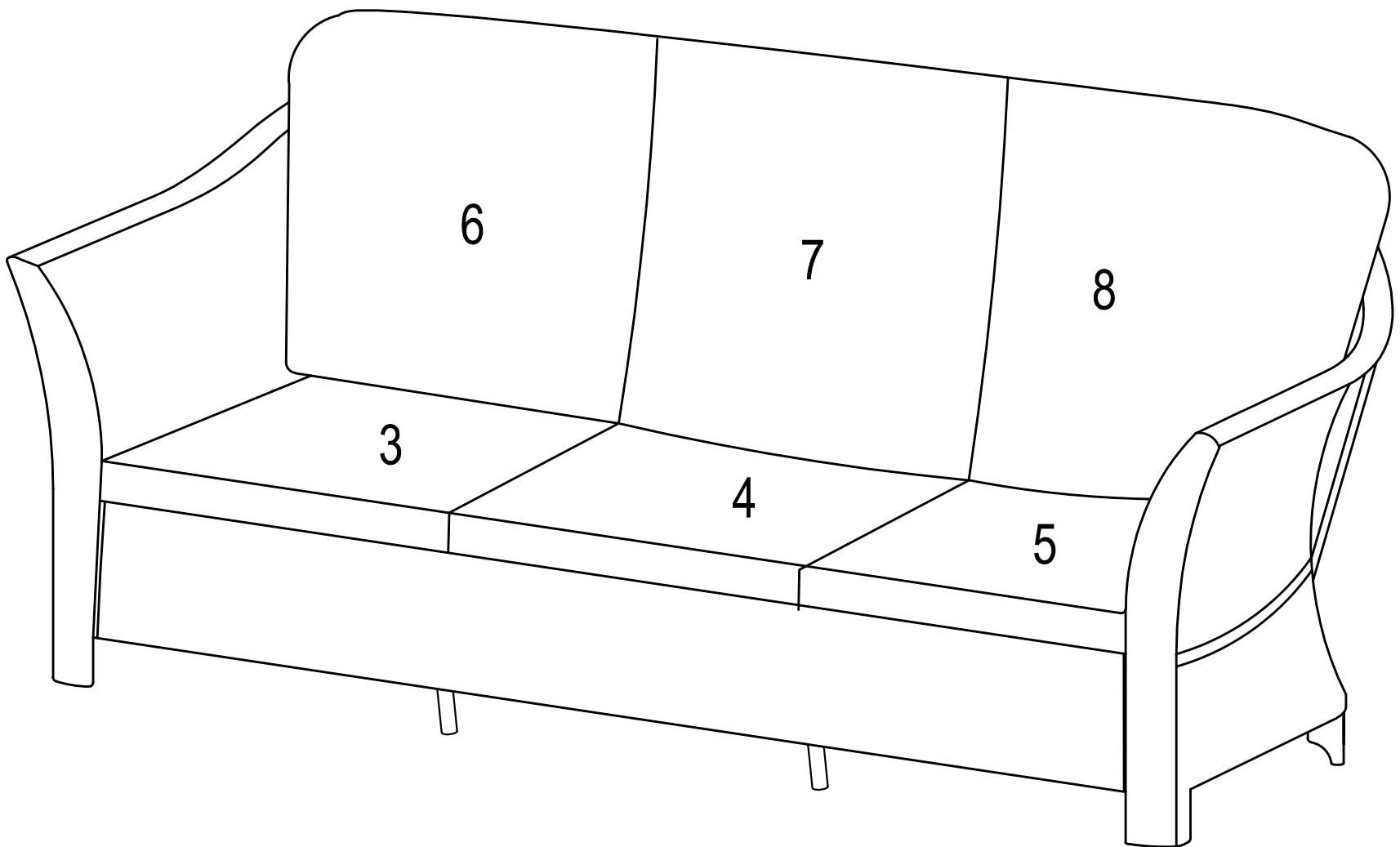


# Step 4:

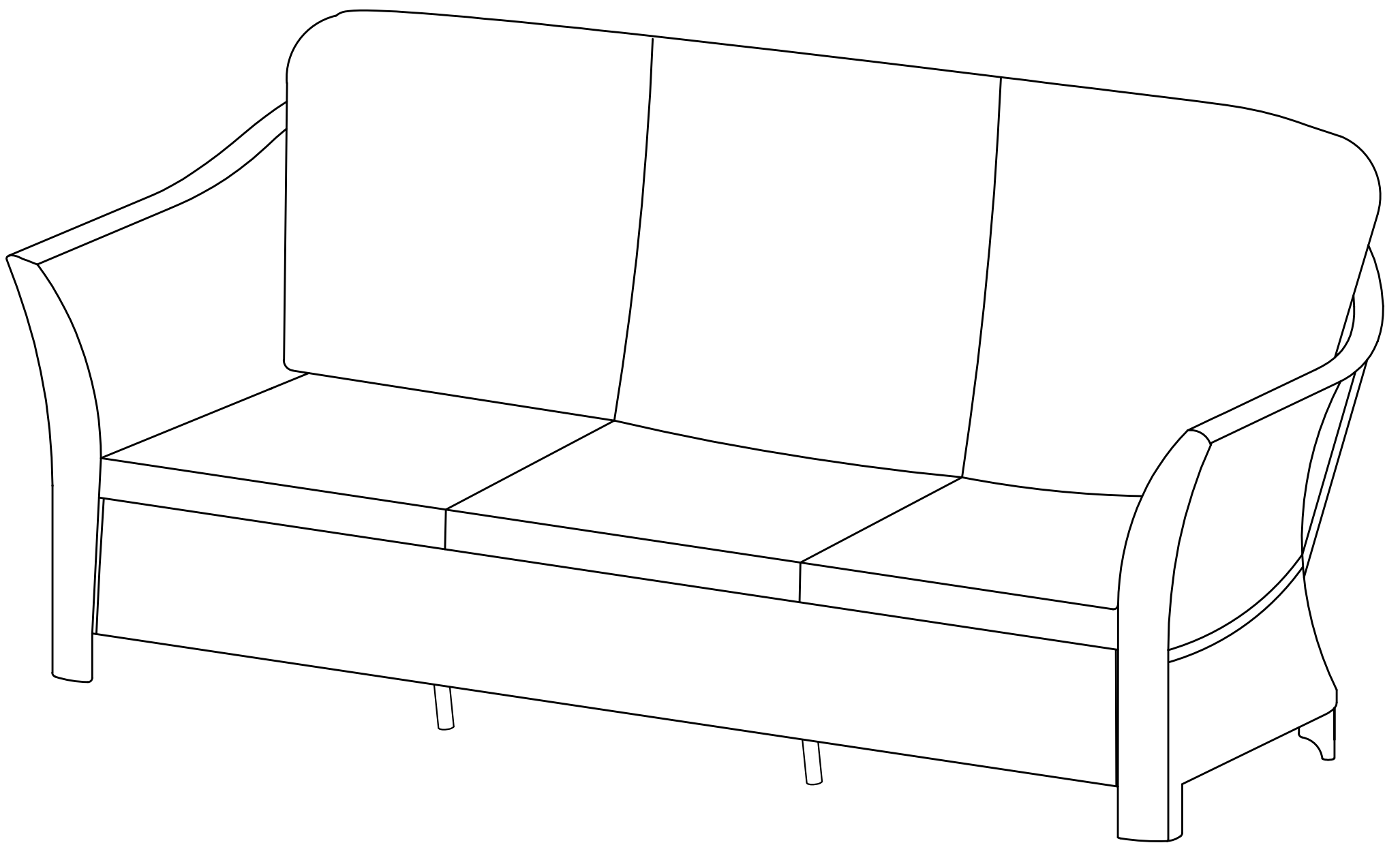
## ITEMS REQUIRED

6. Back Cushion 1PC	7. Back Cushion 1PC	8. Back Cushion 1PC
		

- Put the back cushion (6) & (7) & (8) on the cushion (3) & (4) & (5).



**ASSEMBLY IS COMPLETE**



# Care and maintenance



## Metal

- ☒ Item is designed for use outdoors. However we do not recommend leaving this product outside when not in use. To preserve the life of this item, avoid prolonged exposure to the elements & store inside/under cover or use an outdoor cover.
- ☒ DO NOT allow the furniture to be left in the rain or left wet for extended periods of time.
- ☒ Wipe furniture Dry immediately after it becoming wet.
- ☒ DO NOT clean your furniture down with any harsh solvents, abrasives or chemicals.
- ☒ To remove dirt and grime, simply rinse with fresh water or periodically clean using a sponge and mild detergent solution as required

## Wicker

- ☒ Regular vacuuming and dusting of items is recommended.
- ☒ If weave on wicker becomes lacerated/damaged, do not pull on it as this may cause unravelling.
- ☒ Prolonged exposure to the elements may cause colour fading.
- ☒ To extend the life of your product the use of an Amart approved Outdoor Furniture Cover is highly recommended. Please contact store of purchase for further details.

## Cushions

- ☒ Direct exposure to the Sun's harmful UV rays is likely to cause rapid colour fading to fabrics. For best results we recommend avoiding exposure to direct sunlight
- ☒ To ensure product longevity it is recommended outdoor products are not left permanently exposed to the elements
- ☒ Spot clean using mild detergent and damp cloth. Dry flat in shade
- ☒ Do not unzip
- ☒ Do not put in washing machine
- ☒ Do not tumble dry
- ☒ Do not bleach
- ☒ Do not dry clean
- ☒ Cool iron only

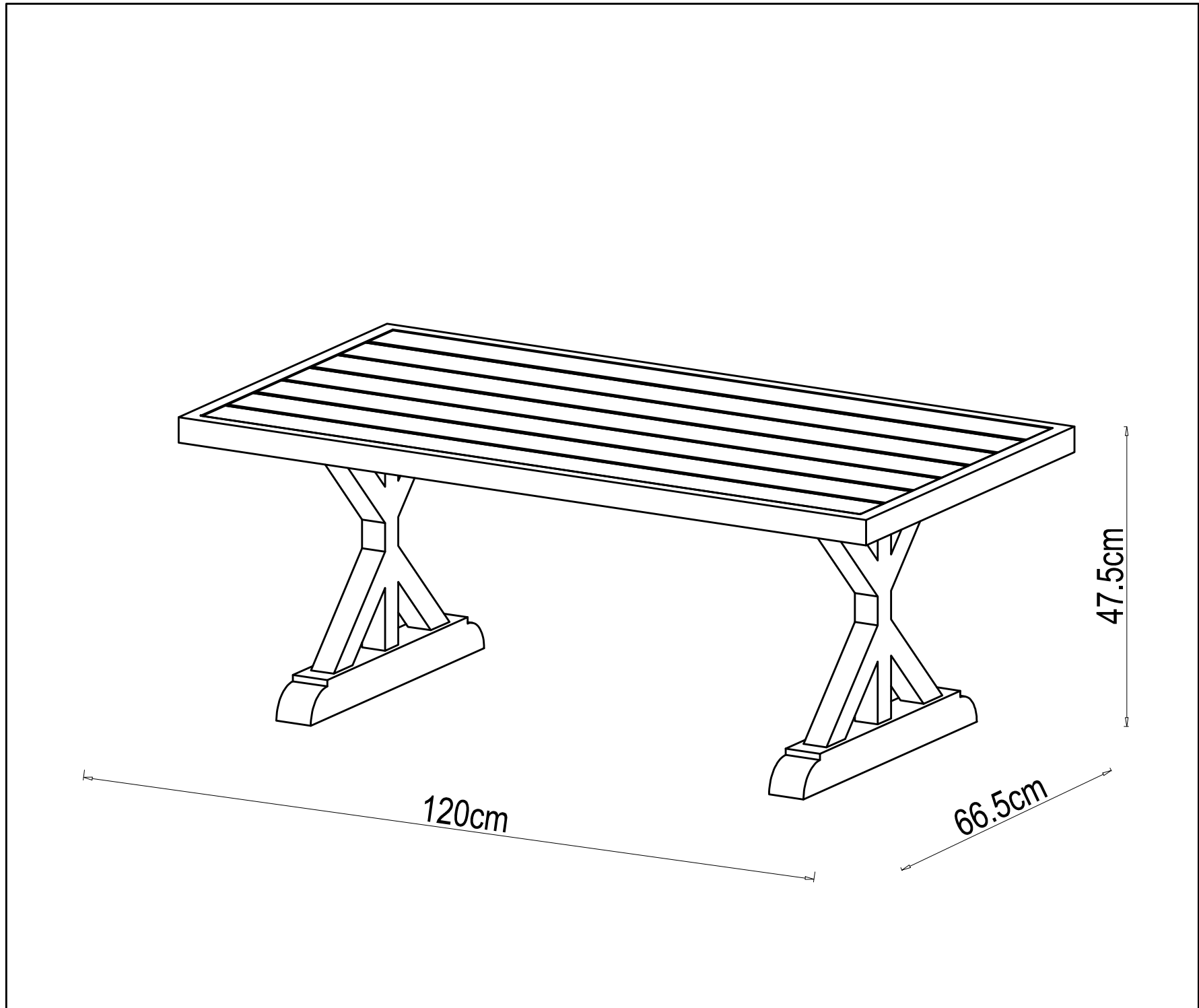




ASSEMBLY INSTRUCTION  
NOUMEA 4PCE OUTDOOR LOUNGE SETTING

ITEM CODE - 79097

Imported by Amart Furniture Pty Ltd, Qld, Brisbane Australia .  
For any assistance with assembly or for missing parts please phone  
Amart Furniture , Customer Service Freecall 1800 351 084


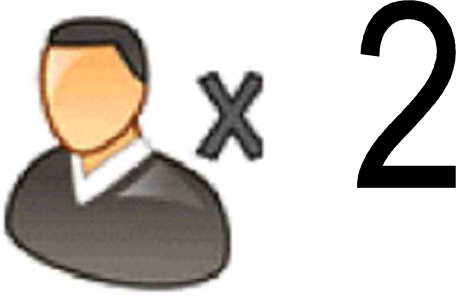


Imported by Amart Furniture Pty Ltd, Qld, Brisbane Australia .  
For any assistance with assembly or for missing parts please phone  
Amart Furniture, Customer Service Freecall 1800 351 084

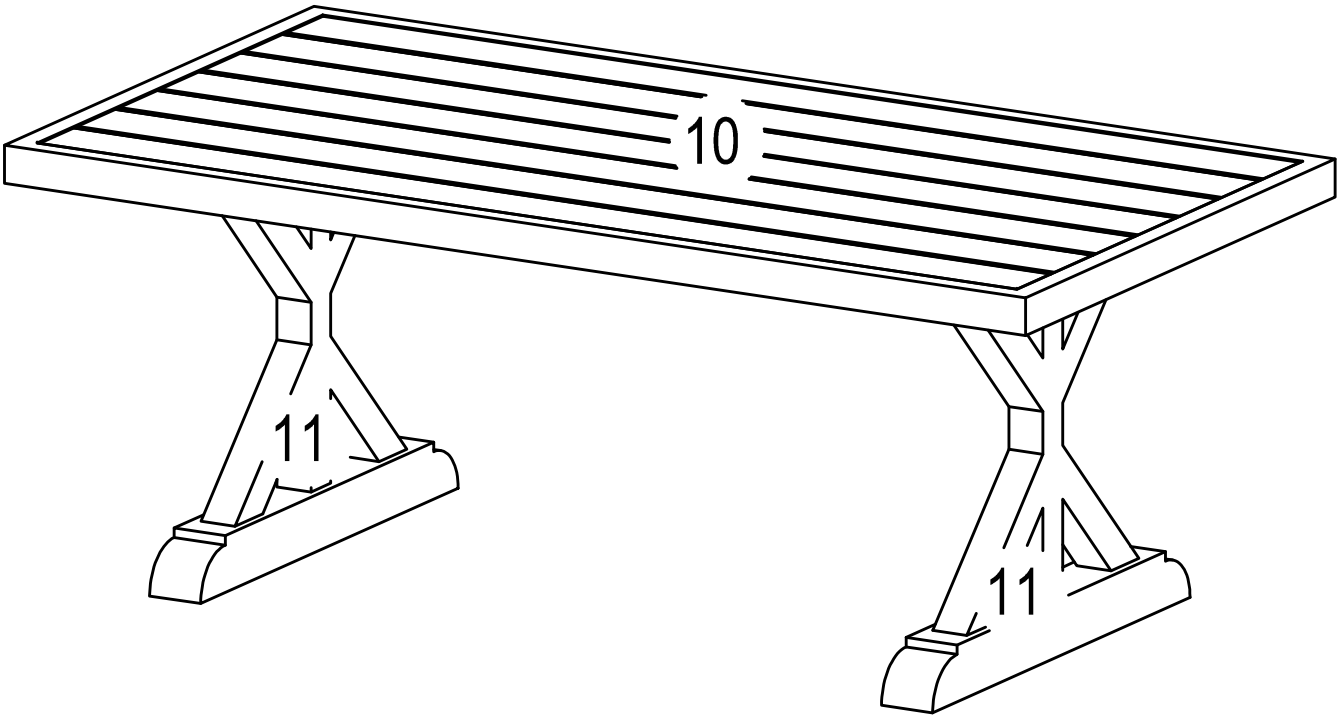
# PRE-ASSEMBLY PREPARATION

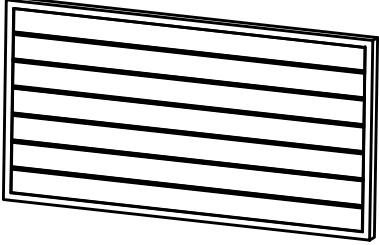
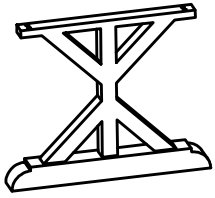
## Before you start:

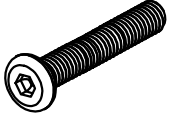
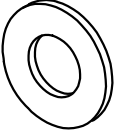
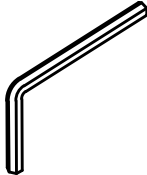
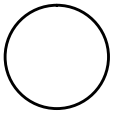
1. Choose a clean, level, spacious assembly area. Avoid hard surfaces that may damage the product.
2. Take care when lifting. Product should be assembled as near as possible to the point of use.
3. Ensure that you have all required contents for complete assembly.
4. Always read the assembly instructions carefully before beginning assembly.
5. Keep all hardware parts and packaging out of reach of small children.
6. Do not over tighten the screws and bolts as this may damage the threads.

	
ALLOW 10 MINUTES	PEOPLE REQUIRED
ADDITIONAL TOOLS REQUIRED	

# PARTS LIST

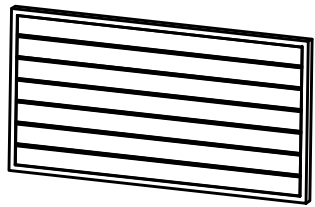
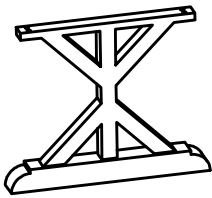

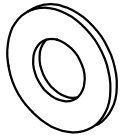
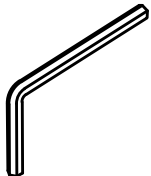


<p>10 Table Top</p> 	<p>1PC</p>	<p>11 Legs</p> 	<p>2PCS</p>
---	------------	--	-------------

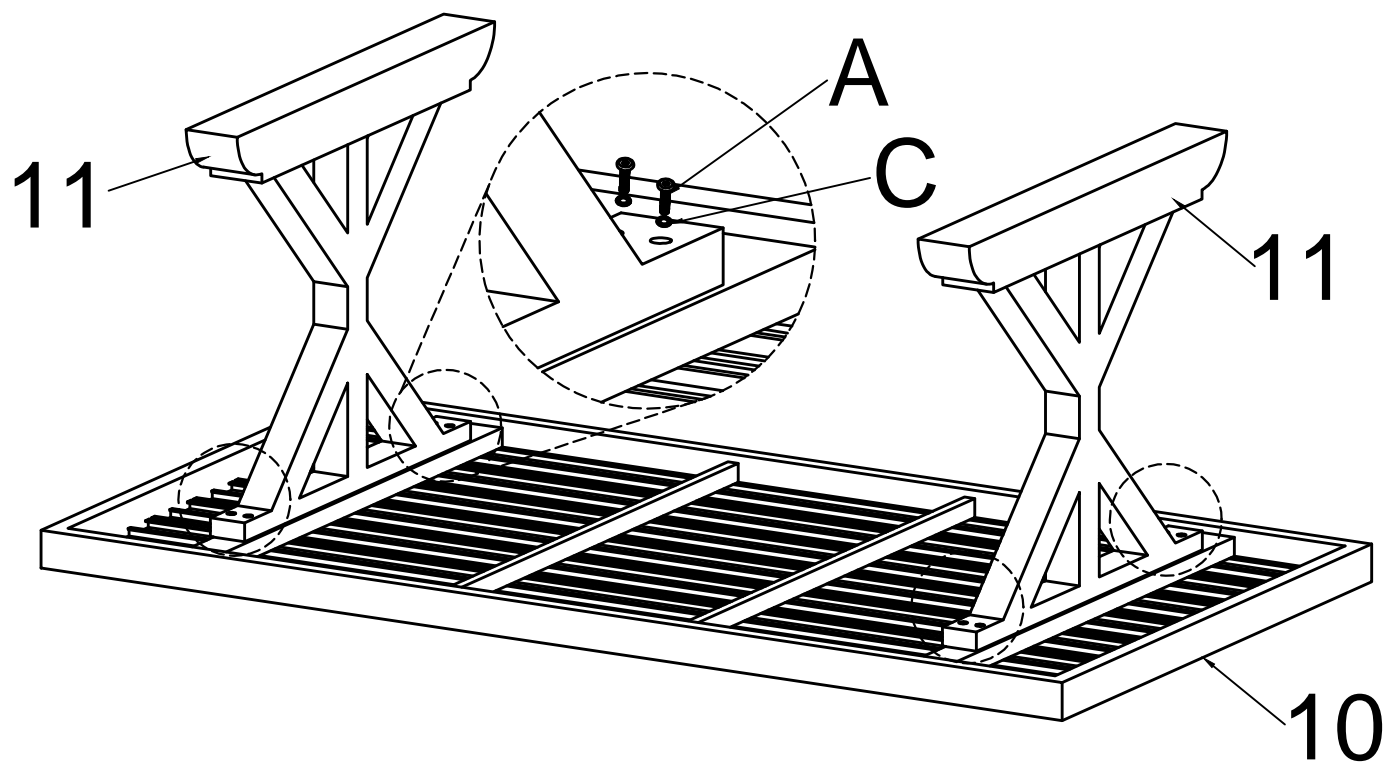
<p>A. Bolt</p>  <p>M6*35*8PCS</p>	<p>C. Washer</p>  <p>M6*8PCS</p>	<p>D. Allen Key</p>  <p>M6*1PC</p>	<p>E. Non-slip mat</p>  <p>4PCS</p>
--	---	---	--

# Step 1:

## ITEMS REQUIRED

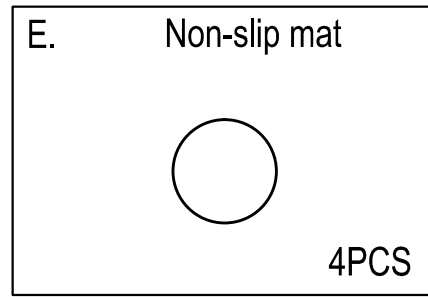
	10. Table Top 1PC 	11. Legs 2PCS 
A. Bolt  M6*35*8PCS	C. Washer  M6*8PCS	D. Allen Key  M6*1PC

- Attach legs (11) to table top (10) using bolt (A) with washer(C) .
- Tighten with allen key (D) .

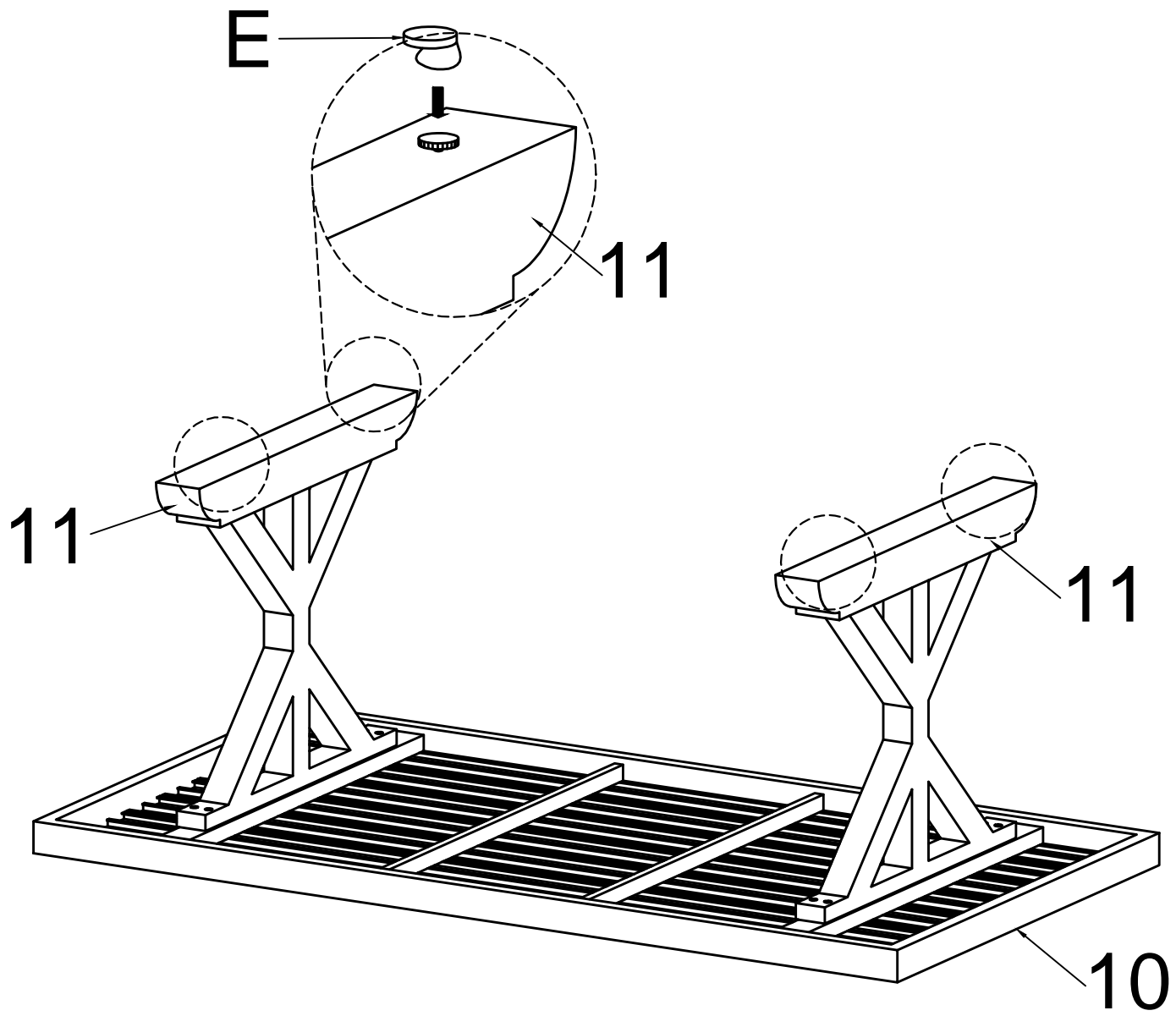


# Step 2:

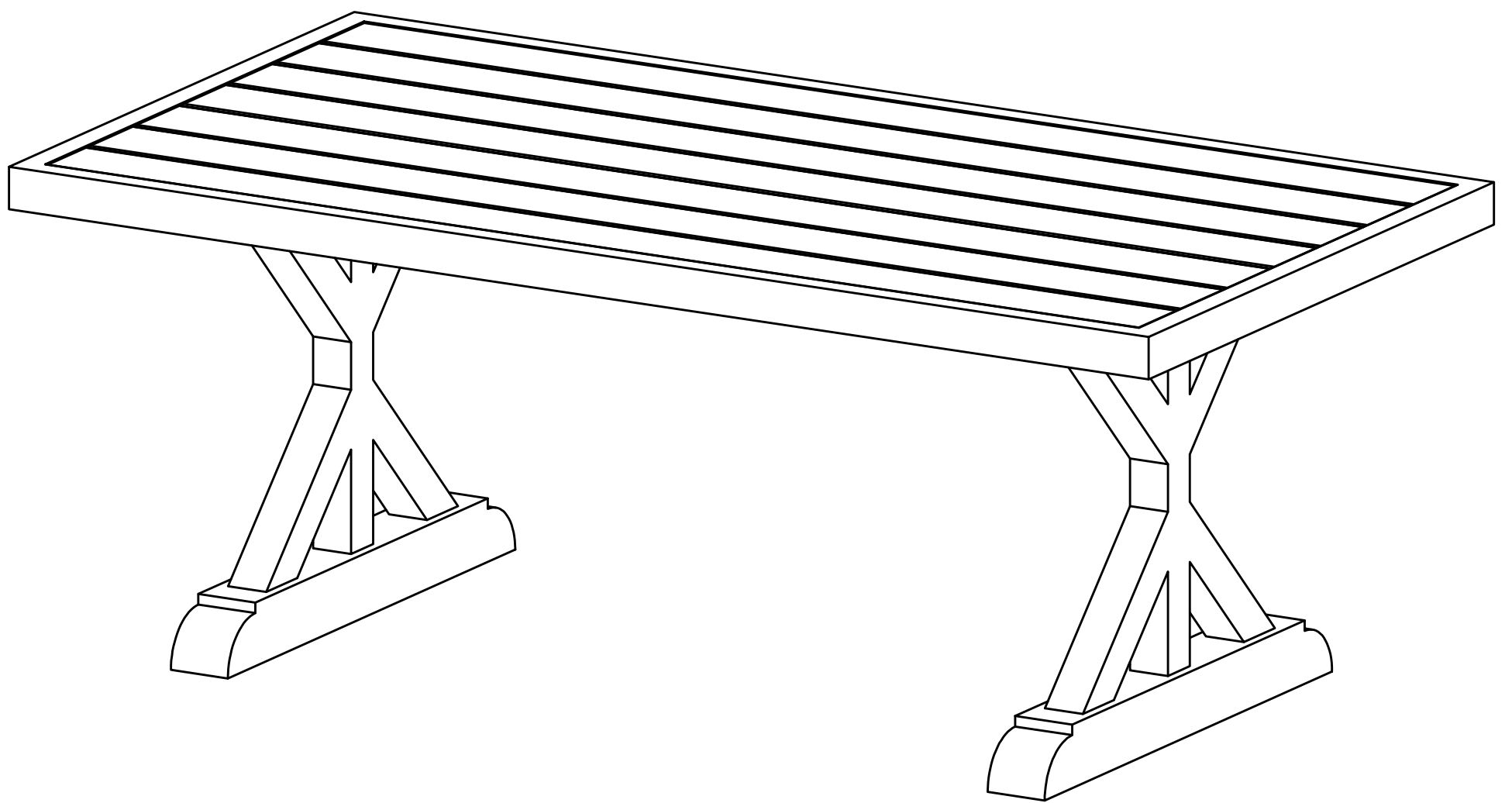
## ITEMS REQUIRED



- Last attach the non-slip mat (E) under the adjusting knob.



**ASSEMBLY IS COMPLETE**



# Care and maintenance



---

## Metal

- ☒ Item is designed for use outdoors. However we do not recommend leaving this product outside when not in use. To preserve the life of this item, avoid prolonged exposure to the elements & store inside/under cover or use an outdoor cover.
- ☒ DO NOT allow the furniture to be left in the rain or left wet for extended periods of time.
- ☒ Wipe furniture Dry immediately after it becoming wet.
- ☒ DO NOT clean your furniture down with any harsh solvents, abrasives or chemicals.
- ☒ To remove dirt and grime, simply rinse with fresh water or periodically clean using a sponge and mild detergent solution as required